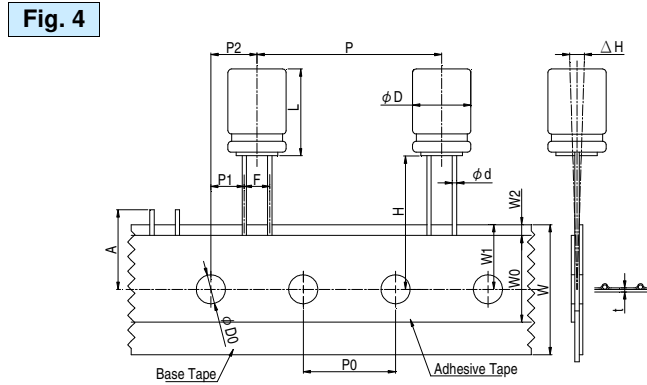
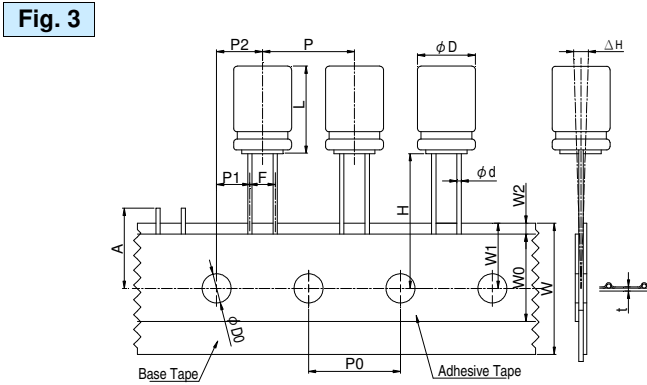
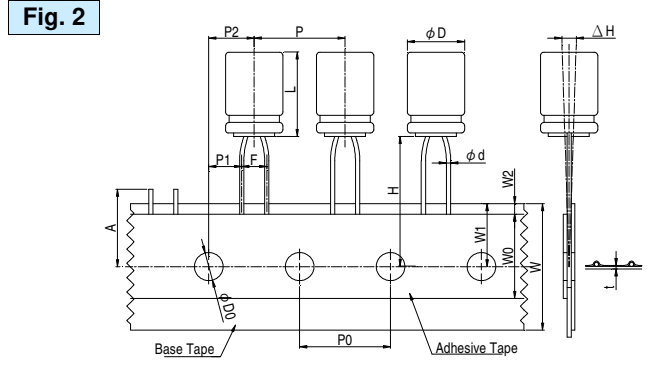
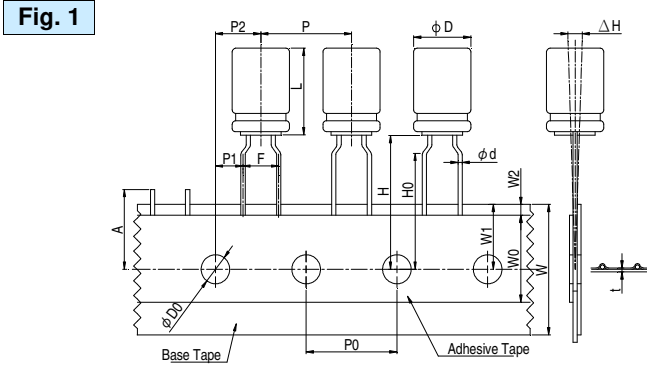


Taping Specifications for Radial Type (Applicable Standard JIS C 0806-2)



Unit: mm

Packing	TA ^{*1}												SA							SP							
	5 ²				7 ~ 9			≥ 11					5 ²				7 ~ 9	11.5 ~ 20		9 ~ 25							
Symbol	φ	3	4 ^{*3}	5	6.3	8	5	6.3	8	5	6.3	8	3	4 ^{*3}	5	6.3	8	5 ^{*4}	6.3 ^{*4}	8	8	Tol. ^{*1}	10	12.5	12.5	Tol.	
φd		0.4	0.45		0.5			0.6					0.45				0.5		0.6	± 0.05		0.6			± 0.05		
F		5.0					2.5							3.5		3.5	± 0.8/0.2		5.0			± 0.8 / -0.2					
H		17.5			18.5		20.0					17.5				17.5		18.5		± 0.75		18.5			± 0.75		
H0		16.0					---							---		± 0.5		---			---						
P		12.7					12.7							12.7		± 1.0		12.7	25.4	15.0	± 1.0						
P0		12.7					12.7							12.7		± 0.2		12.7	12.7	15.0 ^{*5}	± 0.2 / ± 0.3 (*5)						
P1		3.85					5.1							4.6	4.6	± 0.5		3.85	3.85	5.0	± 0.7						
P2		6.35					6.35							± 1.0		6.35	6.35	7.5	± 1.3								
W		18.0			10.0		12.0					6.0				18.0		± 0.5		18.0			± 0.5				
W0		6.0			10.0		12.0					6.0				10.0		12.0	min.		12.0			min.			
W1		9.0					9.0							9.0		± 0.5		9.0			± 0.5						
W2		1.5					1.5							1.5		max.		1.5			max.						
A		11.0					11.0							11.0		max.		11.0			max.						
φD0		4.0					4.0							4.0		± 0.2		4.0			± 0.2						
ΔH		0					0							0		± 1.0		0			± 1.0						
t		0.7					0.7							0.7		± 0.2		0.7			± 0.2						
Fig. No.		1												2	3	3	2	3						3	4	3	

Note: *1: The "Tol." of "TA" is the same as "SA".

*2: For 3 ~ 8 φ × 5L, W0 = 10.0 mm is available.

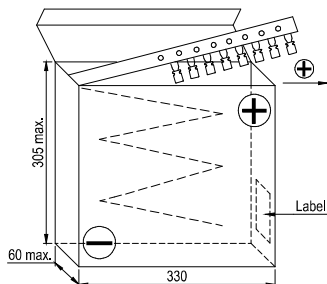
*3: 4 φ × 7L the spec. is the same as 4 φ × 5L.

*4: H of the 5 ~ 6.3 φ × 11 ~ 15L for "SA" packing is 18.5 mm.

*5: The "Tol." of P0 for "SP" packing is 0.3 mm. Customized taping may be available upon request. Please consult with us.

Package

Fig. 5 Ammo pack box



Package Quantity

Unit: pcs / box

φD(mm)	3	4	5	6.3	8	10	12.5
Quantity	3,000	2,500	2,000	2,000	1,000	500	300

Note: The component shall be oriented on the tape as such that the positive lead is leading or the negative lead is leading with customer's request.